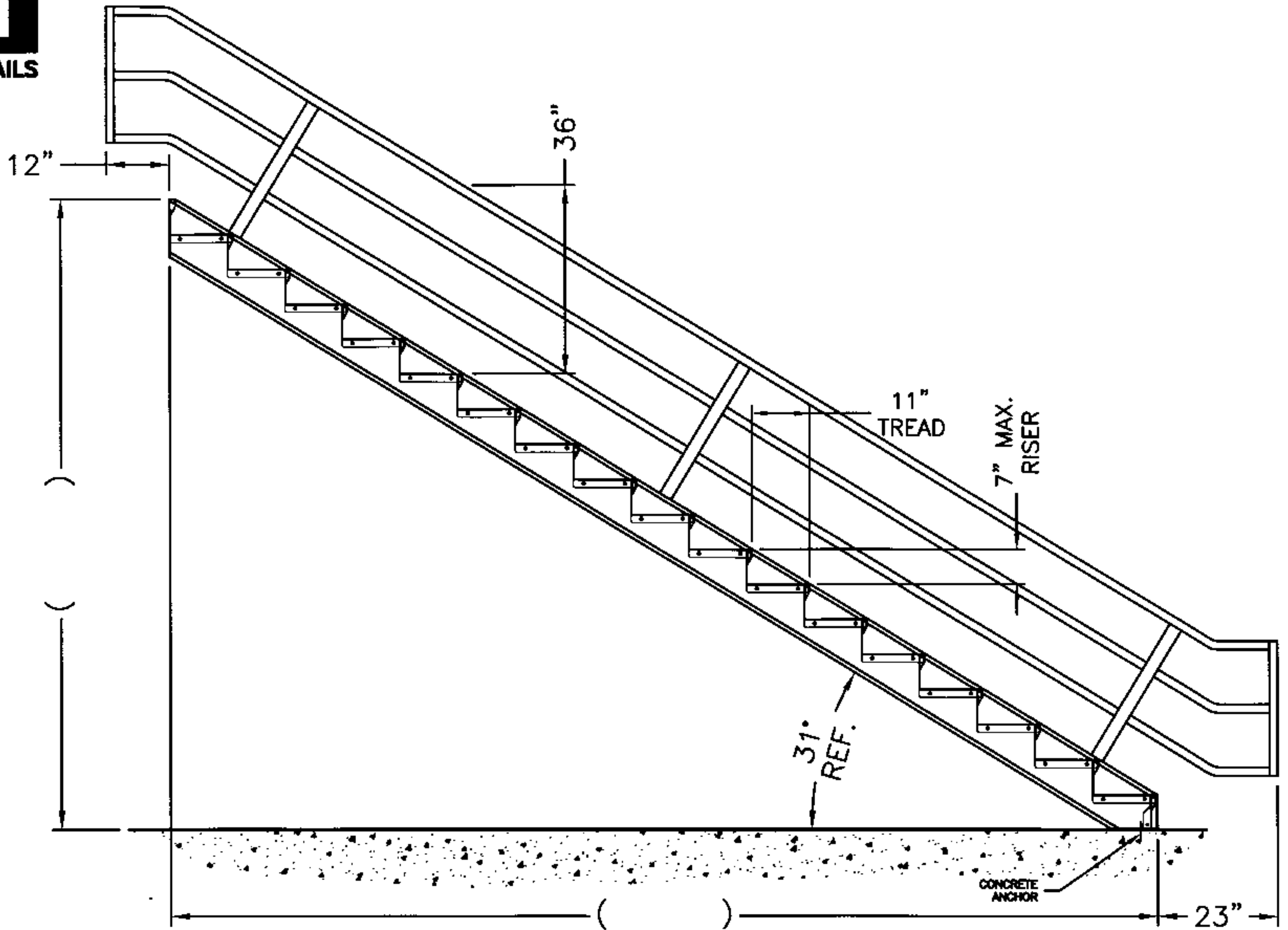


SSI

STANDARD DETAILS



***TYPICAL UBC STAIR
(3-RAIL STANDARD)***