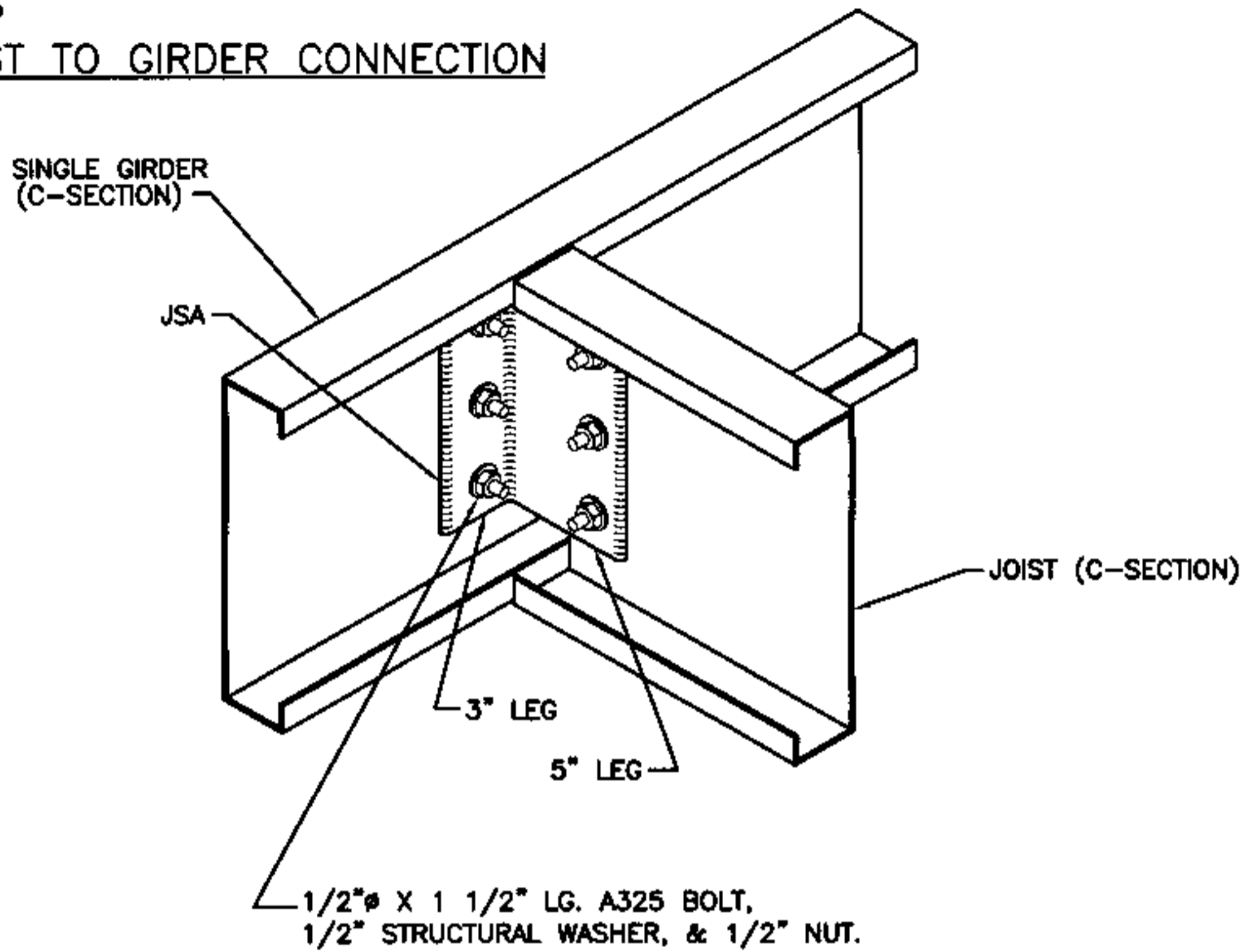
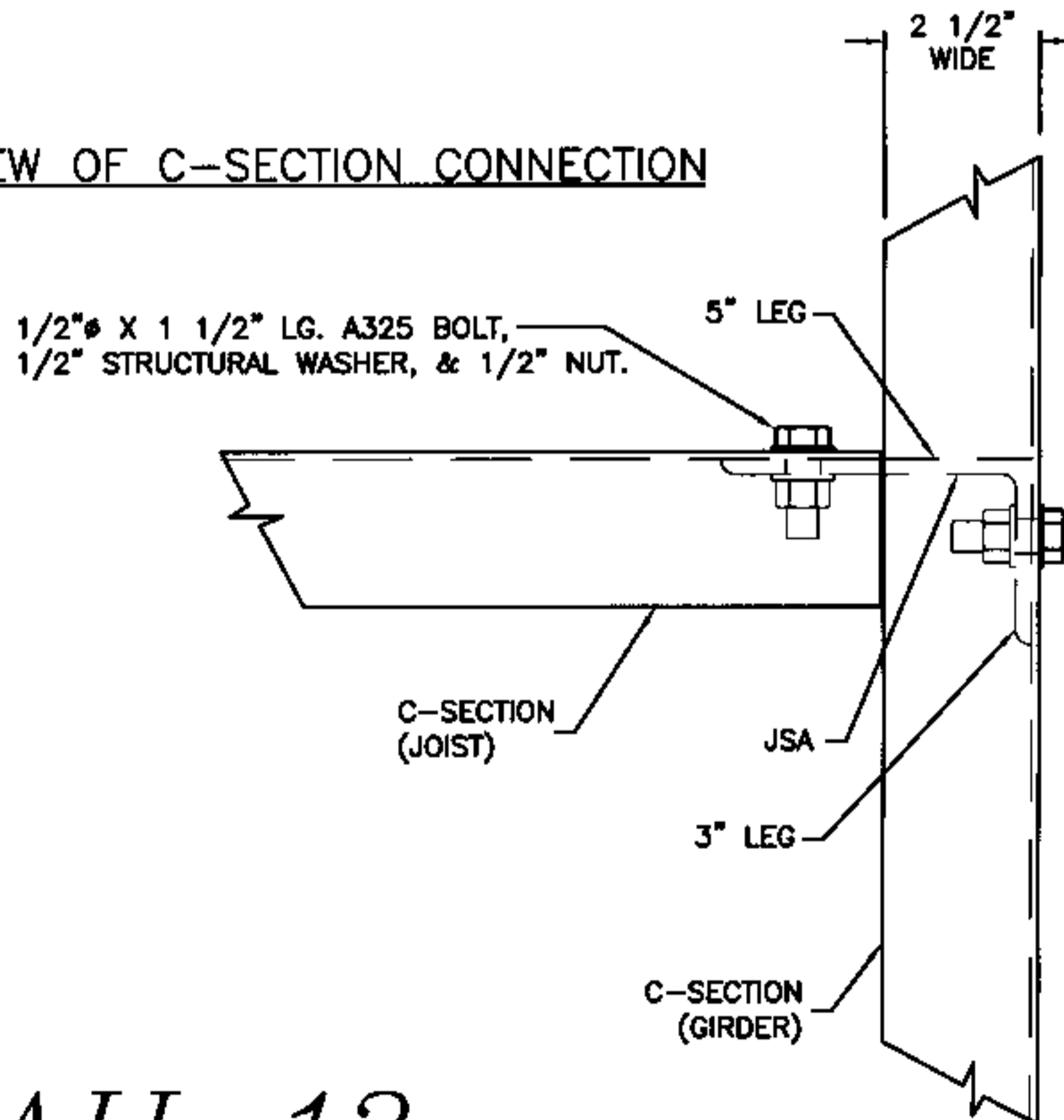


JOIST TO GIRDER CONNECTION



TOP VIEW OF C-SECTION CONNECTION



DETAIL 13

TYPICAL C-SECTION TO C-SECTION CONNECTION