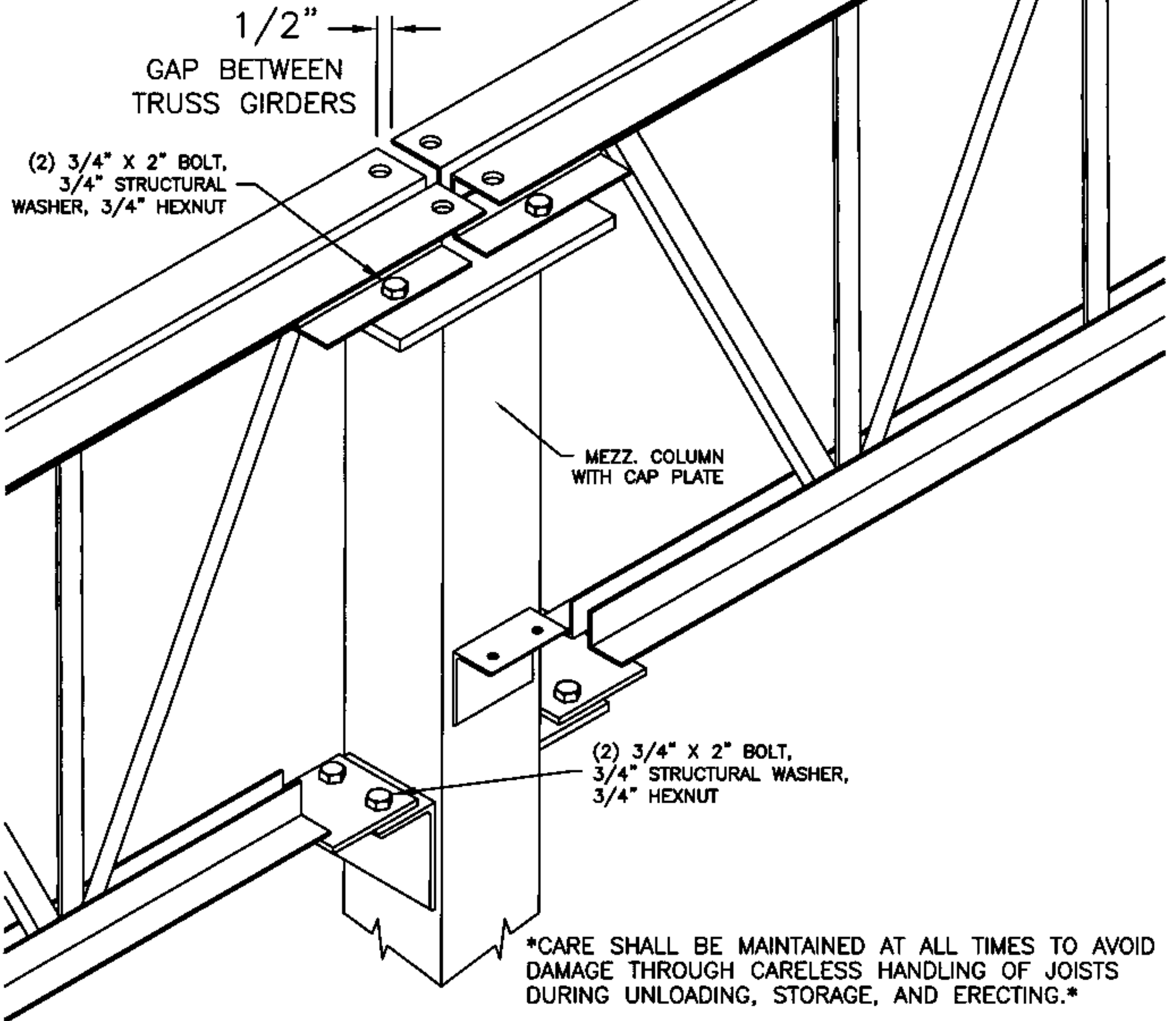


## STANDARD DETAILS

1. SEE PROJECT DRAWINGS FOR BASE PLATE STYLES & ORIENTATION TO MEZZANINE.
2. ORIENTATE TRUSS GIRDER WITH GIRDER TAGS LOCATED AS SHOWN ON PROJECT DRAWINGS & FRAMING PLAN.

9/16"Ø HOLES FOR BAR JOIST ATTACHMENT. JOIST NOT SHOWN FOR CLARITY.



## DETAIL 10

TRUSS GIRDER INTERIOR CONNECTION TO COLUMN