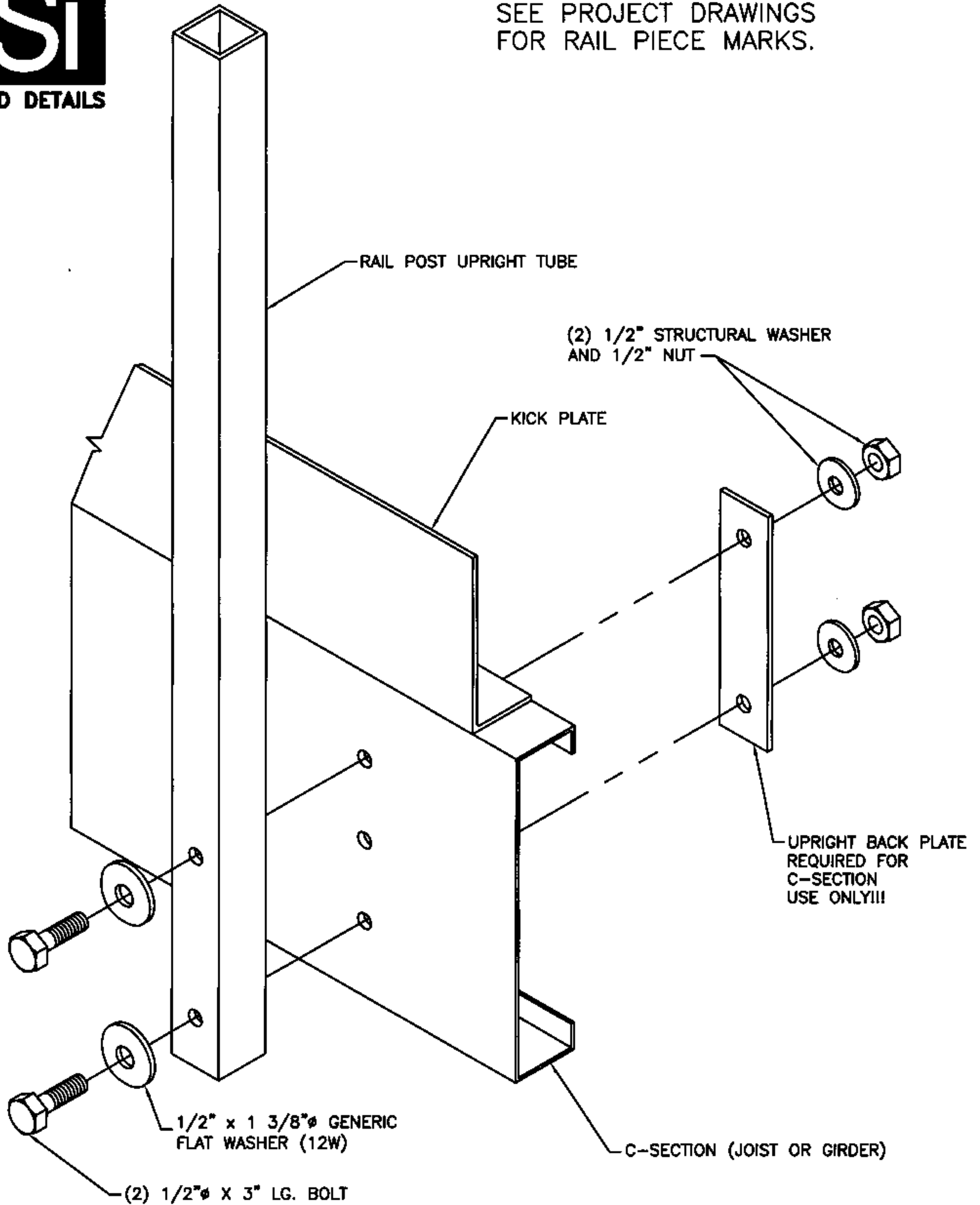


SSI

STANDARD DETAILS

SEE PROJECT DRAWINGS
FOR RAIL PIECE MARKS.



DETAIL 21

RAIL POST CONNECTION DETAIL © C-SECTION