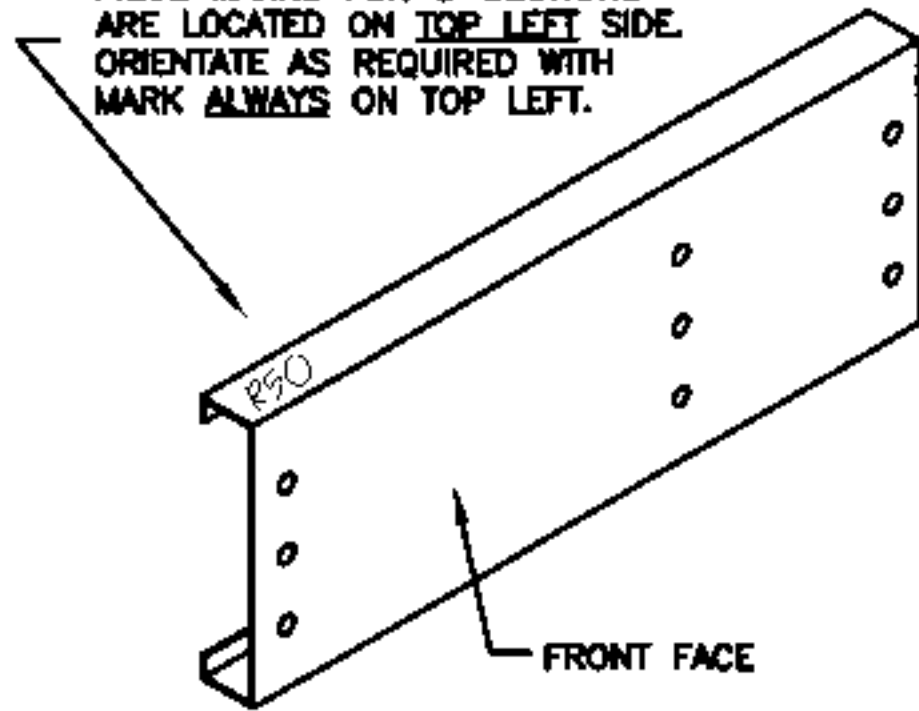
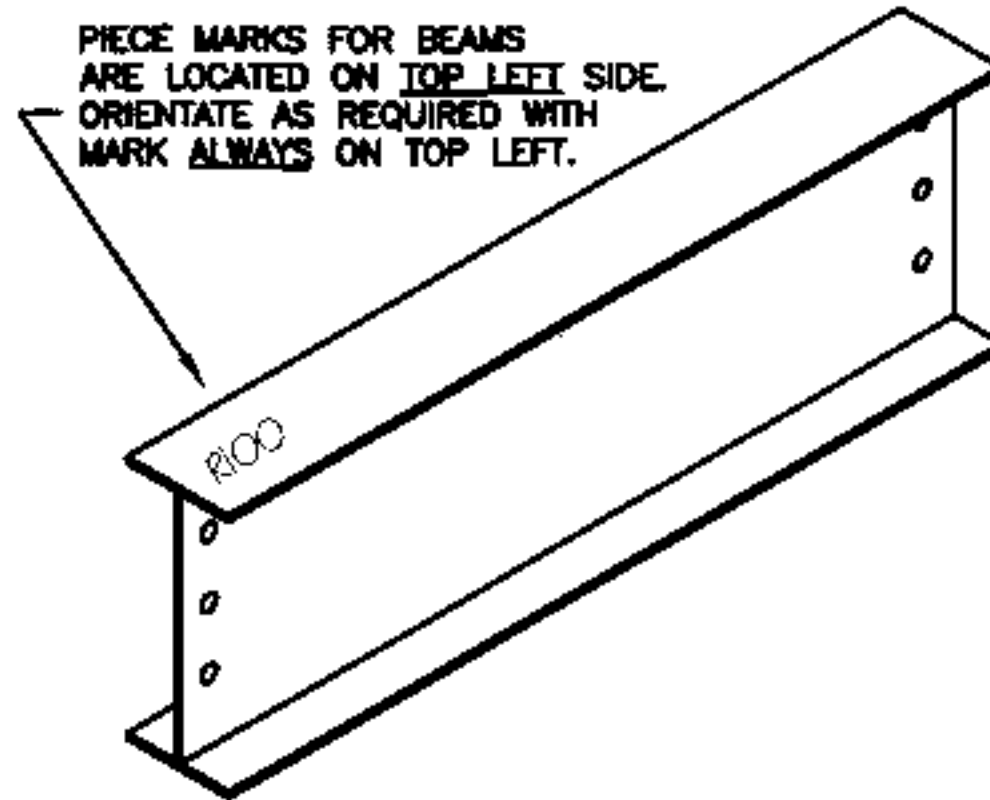


PIECE MARKS FOR C-SECTIONS ARE LOCATED ON TOP LEFT SIDE. ORIENTATE AS REQUIRED WITH MARK ALWAYS ON TOP LEFT.



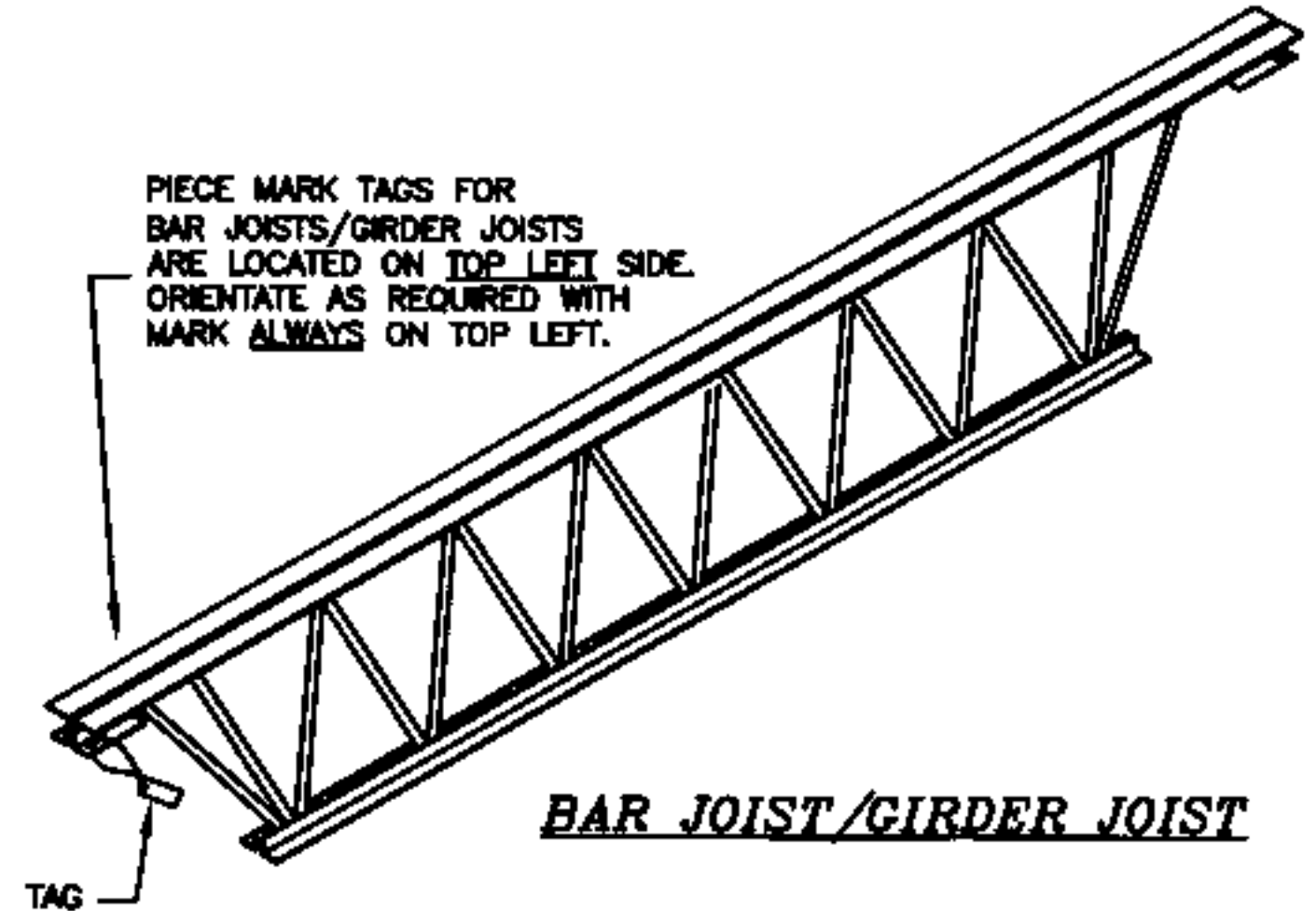
C-SECTION

PIECE MARKS FOR BEAMS ARE LOCATED ON TOP LEFT SIDE. ORIENTATE AS REQUIRED WITH MARK ALWAYS ON TOP LEFT.



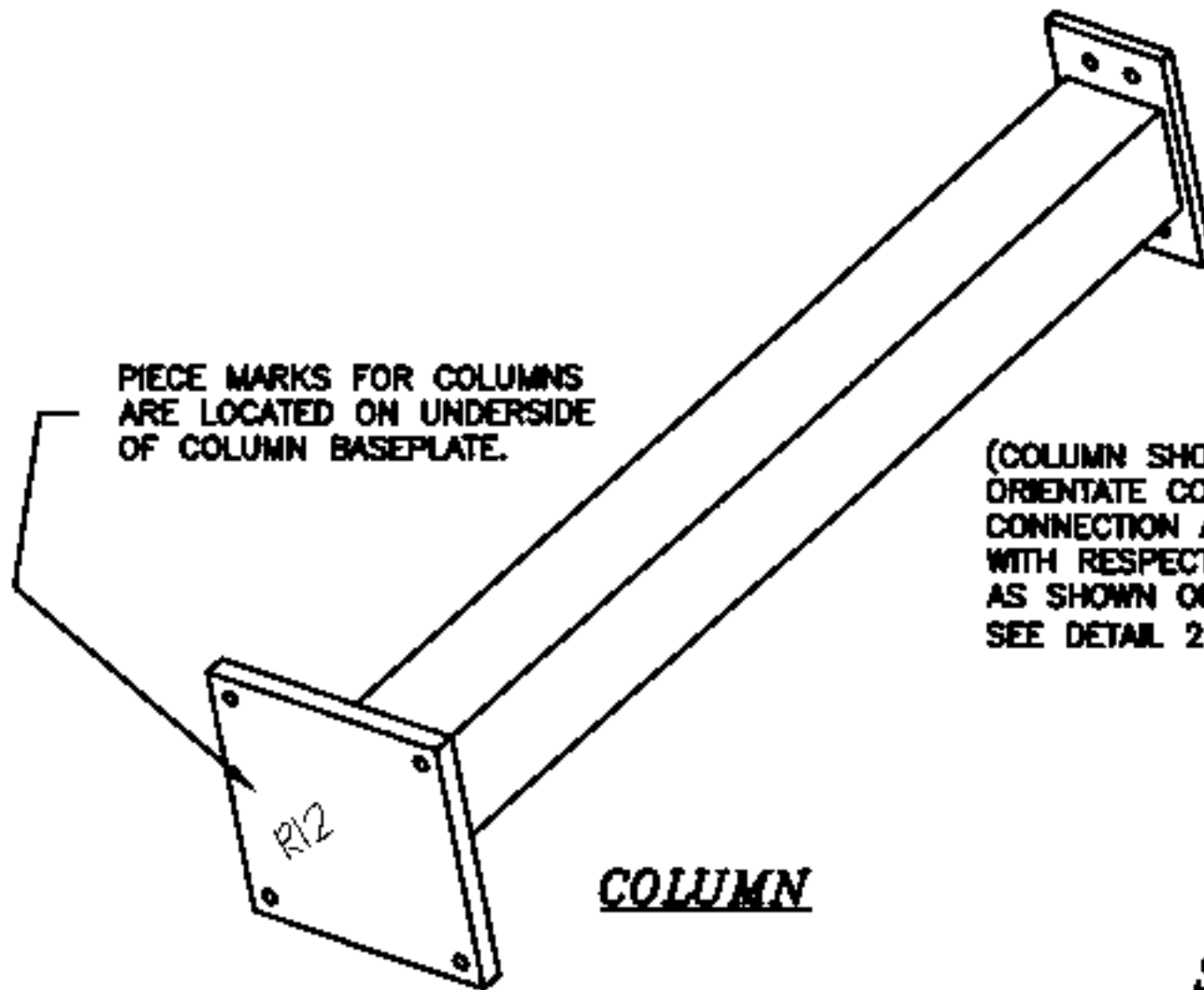
BEAM

PIECE MARK TAGS FOR BAR JOISTS/GIRDER JOISTS ARE LOCATED ON TOP LEFT SIDE. ORIENTATE AS REQUIRED WITH MARK ALWAYS ON TOP LEFT.



BAR JOIST/GIRDER JOIST

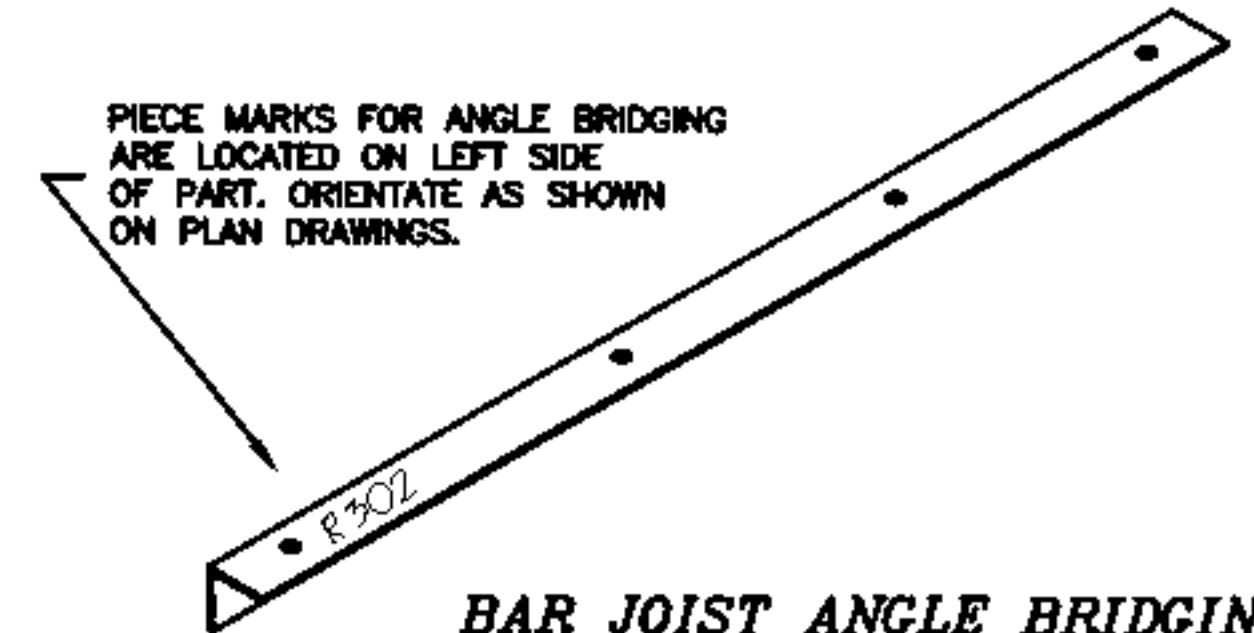
PIECE MARKS FOR COLUMNS ARE LOCATED ON UNDERSIDE OF COLUMN BASEPLATE.



COLUMN

(COLUMN SHOWN HAS A GAP PLATE. ORIENTATE COLUMNS WITH SIDE CONNECTION ANGLES OR PLATES WITH RESPECTIVE FRAMING MEMBERS AS SHOWN ON PROJECT PLAN DRAWINGS. SEE DETAIL 2 AND/OR 3)

PIECE MARKS FOR ANGLE BRIDGING ARE LOCATED ON LEFT SIDE OF PART. ORIENTATE AS SHOWN ON PLAN DRAWINGS.



BAR JOIST ANGLE BRIDGING

THE ABOVE DETAILS SHOWN ARE TO SHOW HOW TO ORIENTATE FRAMING MEMBERS. NOTE THAT ON ALL C-SECTIONS, BEAMS, JOISTS, AND ANGLE BRIDGING, ORIENTATION OF PIECE MARKS ON THE TOP LEFT IS VERY CRITICAL FOR CORRECT INSTALLATION.

PIECE MARK ORIENTATION DETAIL