

(3) 1/2" X 1 1/2" A325 BOLT,
1/2" STRUCTURAL WASHER,
1/2" HEXNUT
AT BEAM UNLESS OTHERWISE
NOTED ON PROJECT DRAWINGS.

LONGER BOLTS MAY BE REQUIRED
WHEN CLIP ANGLES ARE ON BOTH
SIDES OF GIRDER. REFER TO
PROJECT DRAWINGS

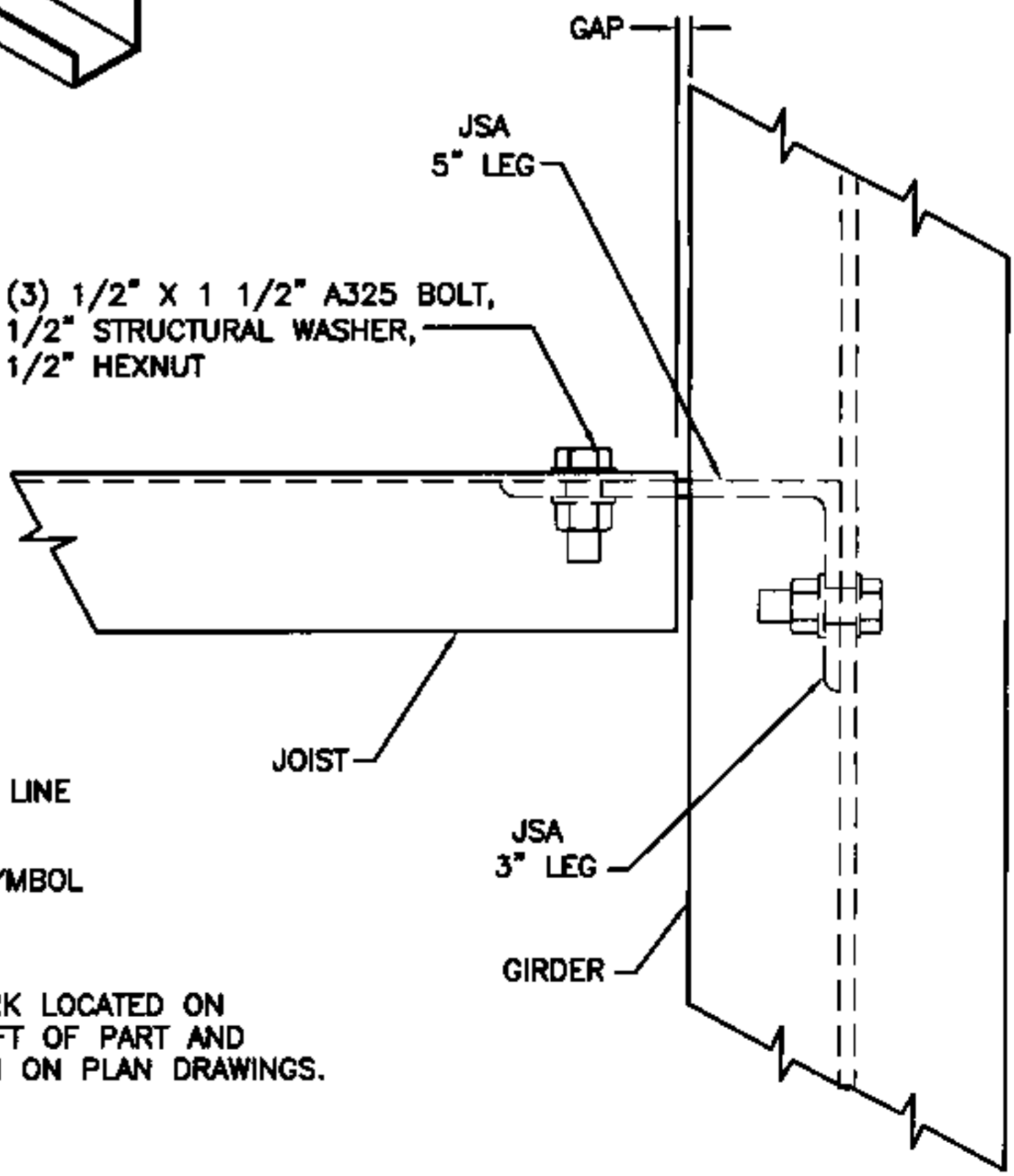
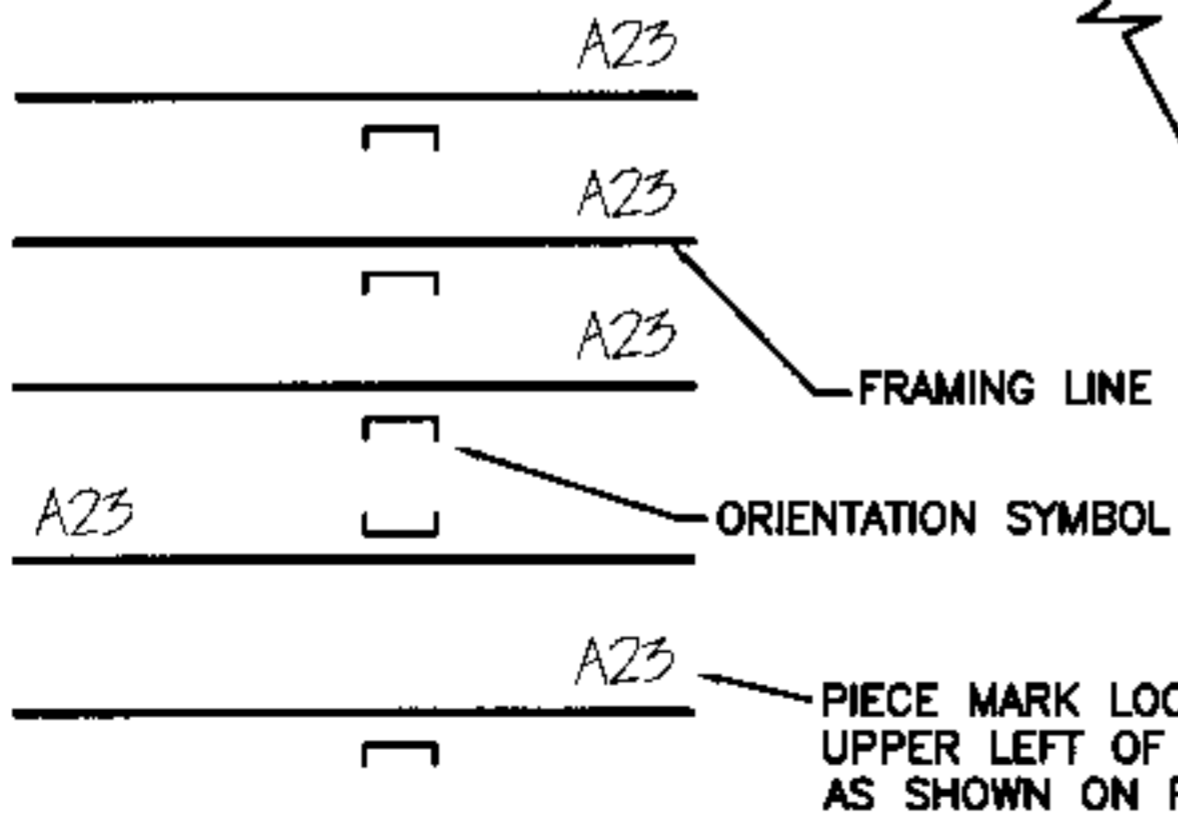
GIRDER

C-SECTION JOIST
(SHOWN HERE WITH ALTERNATING FACES.
C-SECTIONS DO NOT ALWAYS ALTERNATE.
REFER TO PLAN DRAWINGS FOR LEFT-END
DESIGNATION OF FRAMING MEMBER.)

JSA CLIP ANGLE
OR AS NOTED ON
PROJECT DRAWINGS
(LONG LEG ON JOIST)

NOTE:
ORIENTATE C-SECTIONS PER
PIECE MARKS ON PLAN
DRAWINGS.
SEE EXAMPLE BELOW.

(3) 1/2" X 1 1/2" A325 BOLT,
1/2" STRUCTURAL WASHER,
1/2" HEXNUT



DETAIL 16

C-SECTION TO BEAM CONNECTION