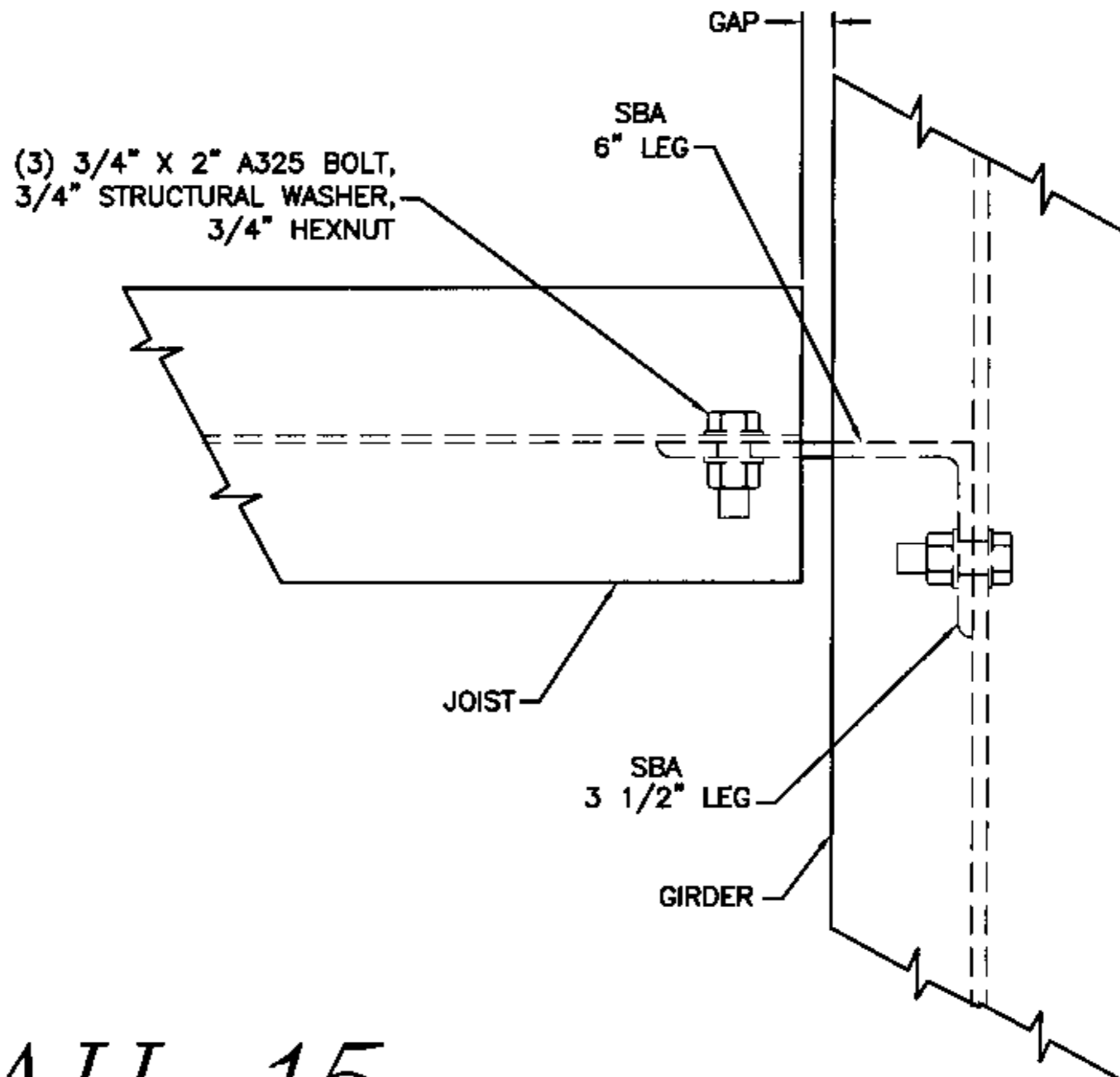
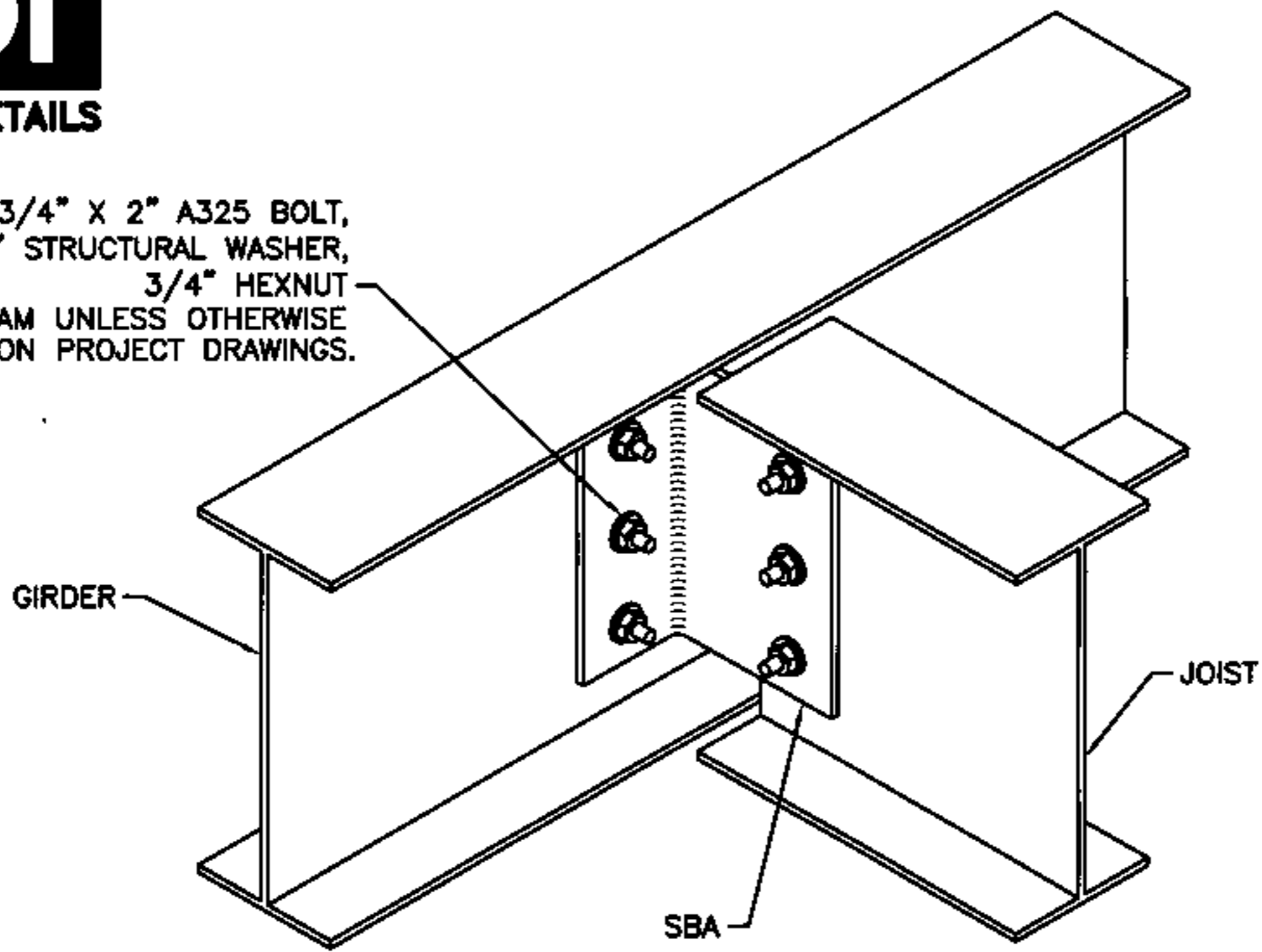


(3) 3/4" X 2" A325 BOLT,
3/4" STRUCTURAL WASHER,
3/4" HEXNUT
AT BEAM UNLESS OTHERWISE
NOTED ON PROJECT DRAWINGS.



DETAIL 15

BEAM TO BEAM CONNECTION